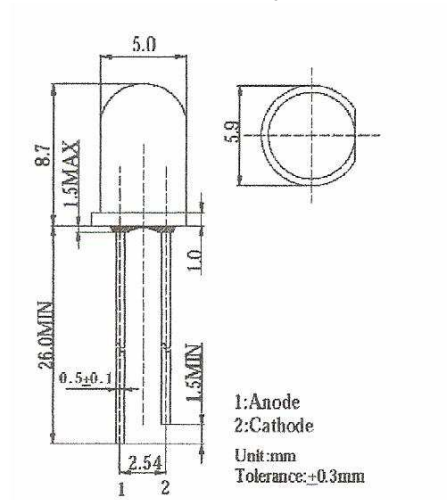
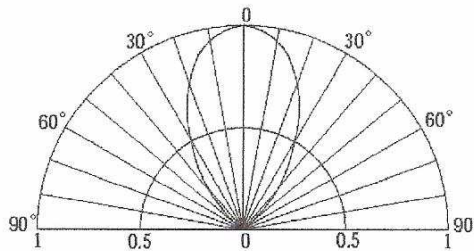


## 5mm Standard LED's SL100 to SL104

A range of high quality 5mm dia. LED indicators with diffused coloured lens. Suitable for PCB or panel mount.  
**RoHS compliant**



### ■ Directivity



Part No	Unit	SL100	SL101	SL102	SL103	SL104
Colour		Green	Red	Yellow	Blue	White
DC Forward Current	mA	30	30	30	30	30
Pulse Forward Current	mA	100	100	100	100	100
Reverse Voltage	V	5	5	5	5	5
Power Dissipation	mW	78	78	78	114	108
Operating Temperature	'C	-30~+85	-30~+85	30~+85	-30~+85	30~+85
Storage temperature	'C	-40~+100	-40~+100	40~+100	-40~+100	40~+100
Lead Soldering Temperature	'C	260 / 5sec	260 / 5sec	260 / 5sec	260 / 5sec	260 / 5sec
DC Forward Voltage	V					
	Min	1.8	1.8	1.8	2.9	2.9
	Max	2.6	2.6	2.6	3.6	3.6
DC Reverse Current	uA					
	Max	10	10	10	10	10
Luminous Intensity	Mcd					
	Min	30	68	68	330	500
	Typ	45	80	100	500	900
50% Power Angle	Deg					
	Typ	60	60	60	60	60